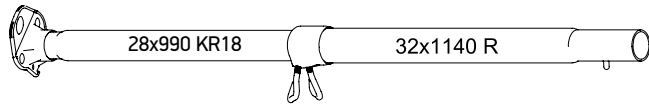


Forum Mega C3 G18-20

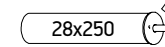
315030181



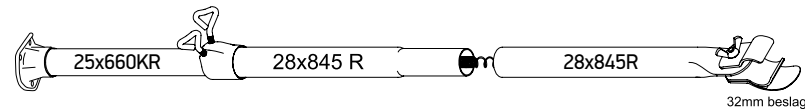
4x **B**
999320zzB



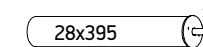
2x **F**
999320zzF



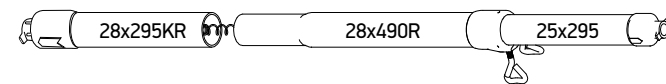
2x **SX**
999320zSX



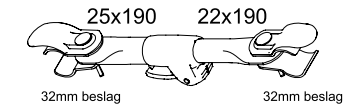
1x **MF**
999320zMF



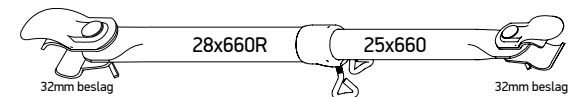
2x **AF**



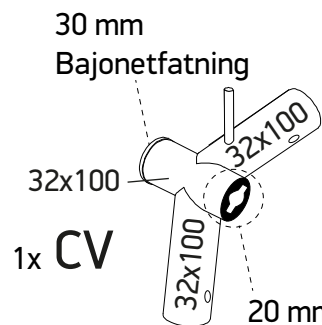
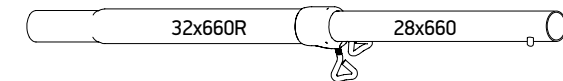
2x **FM**
999324zFm



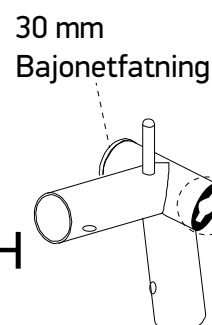
2x **AXF**



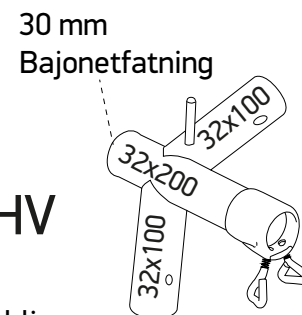
1x **AMF**



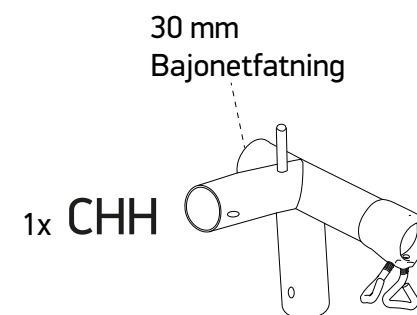
1x **CV**



1x **CH**



1x **CHV**



1x **CHH**

| | | | |
|---------------------------|----------|-------------|---------|
| Pakkeliste / Packing list | | Stk. / Qty. | |
| Karton / Carton | | Medium | |
| Dato/Date | Rev. no. | Units | Weight |
| 25-04-2023 | 04 | mm | --,- kg |

